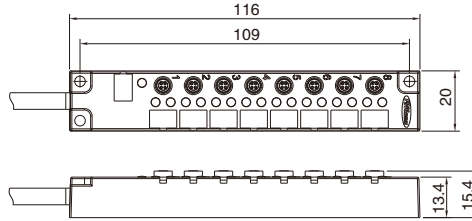


Junction Box, 8 Ports, M5 Termination, Molded Cable

- Connector series: Junction Box
- Termination: M5
- Locking type: Fix screw
- Part No.: JB8M5F**L-XX(With LED)
JB8M5F**-XX(Without LED)

** refers to pins number
X refers to cable length



RoHS

General information

Ambient temperature:	-40°C ~ +80°C(fixed installation) -25°C ~ +80°C(flexible installation)
Connector insert:	TPU
Connector contacts:	Brass with gold plated
Material of body:	PBT
Coupling nut/screw:	Brass with nickel plated
Body color:	Blue
Seal:	FKM

Contact resistance :	≤ 3mΩ
Rated voltage with/without LED:	10~30V/120V
Rated current:	1A per signal, 3A total
LED color:	Optional
IP rating:	IP 67 in locked condition

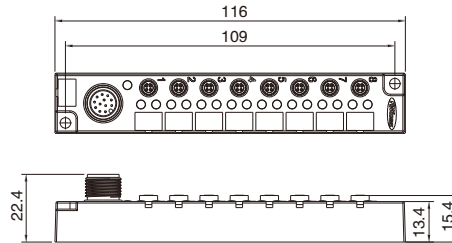
Electrical data & Mechanical data

Contacts	Circuit diagram	Cable Specification
<p>04Pins</p> <p>Pin assignment M5(Female)</p>		<p>Cable: 8*0.14mm²(26AWG) 2*0.25mm²(24AWG) PUR/PVC jacket by customized</p>

Junction Box, 8 Ports, M5 Termination, with M12 Connector

- Connector series: Junction Box
- Termination: M5
- Locking type: Fix screw
- Part No.: JB8M5F**L-M12M**(with LED)
JB8M5F**-M12M**(without LED)

** refers to pins number
X refers to cable length



RoHS

General information

Ambient temperature:	-25°C ~ +80°C
Connector insert:	TPU
Connector contacts:	Brass with gold plated
Material of body:	PBT
Coupling nut/screw:	Brass with nickel plated
Body color:	Blue
Seal:	FKM

Contact resistance :	≤ 3mΩ
Rated voltage with/without LED:	10~30V/120V
Rated current:	1A per signal,3A total
LED color:	Optional
IP rating:	IP 67 in locked condition

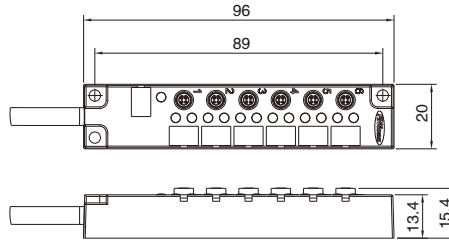
Electrical data & Mechanical data

Contacts	Circuit diagram
<p>04Pins</p> <p>Pin assignment M5(Female)</p>	
<p>12Pins</p> <p>Pin assignment M12(Male)</p>	

Junction Box, 6 Ports, M5 Termination, Molded Cable

- Connector series: Junction Box
- Termination: M5
- Locking type: Fix screw
- Part No.: JB6M5F**L-XX(With LED)
JB6M5F**-XX(Without LED)

** refers to pins number
X refers to cable length



RoHS

General information

Ambient temperature:	-40°C ~ +80°C(fixed installation) -25°C ~ +80°C(flexible installation)
Connector insert:	TPU
Connector contacts:	Brass with gold plated
Material of body:	PBT
Coupling nut/screw:	Brass with nickel plated
Body color:	Blue
Seal:	FKM

Contact resistance :	≤ 3mΩ
Rated voltage with/without LED:	10~30V/120V
Rated current:	1A per signal,3A total
LED color:	Optional
IP rating:	IP 67 in locked condition

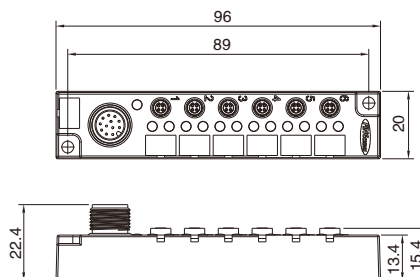
Electrical data & Mechanical data

Contacts	Circuit diagram	Cable Specification
<p>04Pins</p> <p>Pin assignment M5(Female)</p>		<p>Cable: 8*0.14mm²(26AWG) 2*0.25mm²(24AWG) PUR/PVC jacket by customized</p>

Junction Box, 6 Ports, M5 Termination, with M12 Connector

- Connector series: Junction Box
- Termination: M5
- Locking type: Fix screw
- Part No.: JB6M5F**L-M12M**(with LED)
JB6M5F**-M12M**(without LED)

** refers to pins number



RoHS

General information

Ambient temperature:	-25°C ~ +80°C
Connector insert:	TPU
Connector contacts:	Brass with gold plated
Material of body:	PBT
Coupling nut/screw:	Brass with nickel plated
Body color:	Blue
Seal:	FKM

Contact resistance :	≤ 3mΩ
Rated voltage with/without LED:	10~30V/120V
Rated current:	1A per signal, 3A total
LED color:	Optional
IP rating:	IP 67 in locked condition

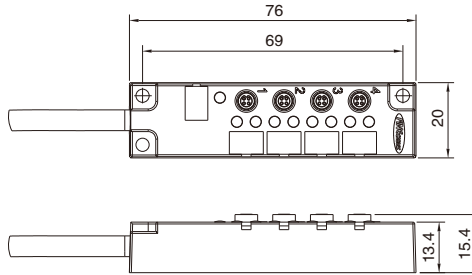
Electrical data & Mechanical data

Contacts		Circuit diagram
04Pins	<p>Pin assignment M5(Female)</p>	
12Pins	<p>Pin assignment M12(Male)</p>	

Junction Box, 4 Ports, M5 Termination, Molded Cable

- Connector series: Junction Box
- Termination: M5
- Locking type: Fix screw
- Part No.: JB4M5F**L-XX(With LED)
JB4M5F**-XX(Without LED)

** refers to pins number
X refers to cable length



RoHS

General information

Ambient temperature:	-40°C ~ +80°C(fixed installation) -25°C ~ +80°C(flexible installation)
Connector insert:	TPU
Connector contacts:	Brass with gold plated
Material of body:	PBT
Coupling nut/screw:	Brass with nickel plated
Body color:	Blue
Seal:	FKM

Contact resistance :	≤ 3mΩ
Rated voltage with/without LED:	10~30V/120V
Rated current:	1A per signal,3A total
LED color:	Optional
IP rating:	IP 67 in locked condition

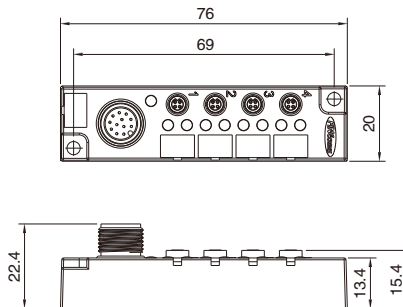
Electrical data & Mechanical data

Contacts		Circuit diagram	Cable Specification
04Pins	<p>Pin assignment M5(Female)</p>		<p>Cable: 4*0.14mm²(26AWG) 2*0.25mm²(24AWG) PUR/PVC jacket by customized</p>

Junction Box, 4 Ports, M5 Termination, with M12 Connector

- Connector series: Junction Box
- Termination: M5
- Locking type: Fix screw
- Part No.: JB4M5F**L-M12M**(with LED)
JB4M5F**-M12M**(without LED)

** refers to pins number



General information

Ambient temperature:	-25°C ~ +80°C
Connector insert:	TPU
Connector contacts:	Brass with gold plated
Material of body:	PBT
Coupling nut/screw:	Brass with nickel plated
Body color:	Blue
Seal:	FKM

Contact resistance :	≤ 3mΩ
Rated voltage with/without LED:	10~30V/120V
Rated current:	1A per signal,3A total
LED color:	Optional
IP rating:	IP 67 in locked condition

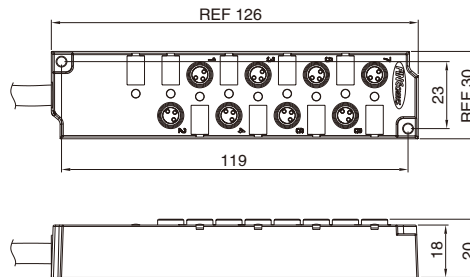
Electrical data & Mechanical data

Contacts	Circuit diagram
<p>04Pins</p> <p>Pin assignment M5(Female)</p>	
<p>12Pins</p> <p>Pin assignment M12(Male)</p>	

Junction Box, 8 Ports, M8 Termination, Molded Cable

- Connector series: Junction Box
- Termination: M8
- Locking type: Fix screw
- Coding type: A-coding
- Part No.: JB8M8F**L-XX (with LED)
JB8M8F**-XX (without LED)

** refers to pins number
X refers to cable length



RoHS

General information

Ambient temperature:	-40°C ~ +80°C(fixed installation) -25°C ~ +80°C(flexible installation)
Connector insert:	TPU
Connector contacts:	Brass with gold plated
Material of body:	PBT
Coupling nut/screw:	Brass with nickel plated
Body color:	Blue
Seal:	FKM

Contact resistance :	≤ 3mΩ
Rated voltage with/without LED:	10~30V/120V
Rated current:	1A per signal,3A total
LED color:	Optional
IP rating:	IP 67 in locked condition

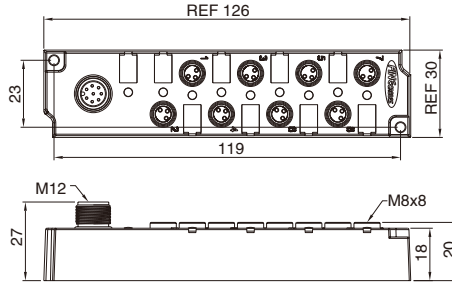
Electrical data & Mechanical data

Contacts	Circuit diagram	Cable Specification
03Pins Pin assignment M8(Female)		Cable: 8*0.25mm ² (26AWG) 2*0.5mm ² (24AWG) PUR/PVC jacket by customized

Junction Box, 8 Ports, M8 Termination, with M12 Connector

- Connector series: Junction Box
- Termination: M8
- Locking type: Fix screw
- Coding type: A-coding
- Part No.: JB8M8F**L-M12M** (with LED)
JB8M8F**-M12M** (without LED)

** refers to pins number



General information

Ambient temperature:	-25°C ~ +80°C
Connector insert:	TPU
Connector contacts:	Brass with gold plated
Material of body:	PBT
Coupling nut/screw:	Brass with nickel plated
Body color:	Blue
Seal:	FKM

Contact resistance :	≤ 3mΩ
Rated voltage with/without LED:	10~30V/120V
Rated current:	1A per signal, 3A total
LED color:	Optional
IP rating:	IP 67 in locked condition

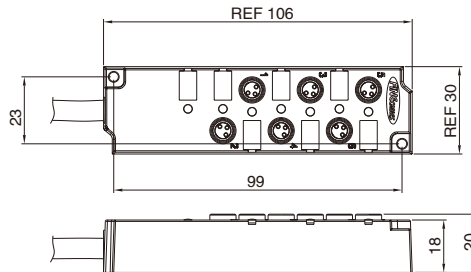
Electrical data & Mechanical data

Contacts		Circuit diagram
03Pins	 Pin assignment M8(Female)	
12Pins	 Pin assignment M12(Male)	

Junction Box, 6 Ports, M8 Termination, Molded Cable

- Connector series: Junction Box
- Termination: M8
- Locking type: Fix screw
- Coding type: A-coding
- Part No.: JB6M8F**L-XX (with LED)
JB6M8F**-XX (without LED)

** refers to pins number
X refers to cable length



General information

Ambient temperature:	-40°C ~ +80°C(fixed installation) -25°C ~ +80°C(flexible installation)
Connector insert:	TPU
Connector contacts:	Brass with gold plated
Material of body:	PBT
Coupling nut/screw:	Brass with nickel plated
Body color:	Blue
Seal:	FKM

Contact resistance :	≤ 3mΩ
Rated voltage with/without LED:	10~30V/120V
Rated current:	1A per signal,3A total
LED color:	Optional
IP rating:	IP 67 in locked condition

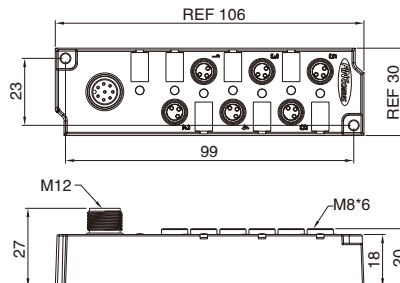
Electrical data & Mechanical data

Contacts	Circuit diagram	Cable Specification
03Pins Pin assignment M8(Female)		Cable: 6*0.25mm ² (26AWG) 2*0.5mm ² (24AWG) PUR/PVC jacket by customized

Junction Box, 6 Ports, M8 Termination, with M12 Connector

- Connector series: Junction Box
- Termination: M8
- Locking type: Fix screw
- Coding type: A-coding
- Part No.: JB6M8F**L-M12M** (with LED)
JB6M8F**-M12M** (without LED)

** refers to pins number



RoHS

General information

Ambient temperature:	-25°C ~ +80°C
Connector insert:	TPU
Connector contacts:	Brass with gold plated
Material of body:	PBT
Coupling nut/screw:	Brass with nickel plated
Body color:	Blue
Seal:	FKM

Contact resistance :	≤ 3mΩ
Rated voltage with/without LED:	10~30V/120V
Rated current:	1A per signal,3A total
LED color:	Optional
IP rating:	IP 67 in locked condition

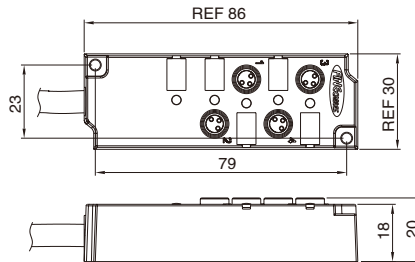
Electrical data & Mechanical data

Contacts		Circuit diagram
03Pins	<p>Pin assignment M8(Female)</p>	
08Pins	<p>Pin assignment M12(Male)</p>	

Junction Box, 4 Ports, M8 Termination, Molded Cable

- Connector series: Junction Box
- Termination: M8
- Locking type: Fix screw
- Coding type: A-coding
- Part No.: JB4M8F**L-XX (with LED)
JB4M8F**-XX (without LED)

** refers to pins number
X refers to cable length



RoHS

General information

Ambient temperature:	-40°C ~ +80°C(fixed installation) -25°C ~ +80°C(flexible installation)
Connector insert:	TPU
Connector contacts:	Brass with gold plated
Material of body:	PBT
Coupling nut/screw:	Brass with nickel plated
Body color:	Blue
Seal:	FKM

Contact resistance :	≤ 3mΩ
Rated voltage with/without LED:	10~30V/120V
Rated current:	1A per signal,3A total
LED color:	Optional
IP rating:	IP 67 in locked condition

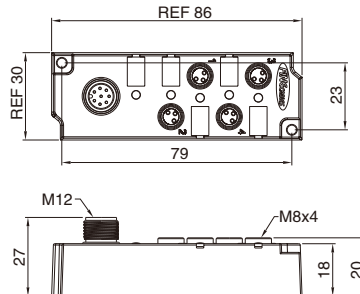
Electrical data & Mechanical data

Contacts	Circuit diagram	Cable Specification
03Pins Pin assignment M8(Female)		Cable: 4*0.25mm ² (26AWG) 2*0.5mm ² (24AWG) PUR/PVC jacket by customized

Junction Box, 4 Ports, M8 Termination, with M12 Connector

- Connector series: Junction Box
- Termination: M8
- Locking type: Fix screw
- Coding type: A-coding
- Part No.: JB4M8F**L-M12M** (with LED)
JB4M8F**-M12M** (without LED)

** refers to pins number



RoHS

General information

Ambient temperature:	-25°C ~ +80°C
Connector insert:	TPU
Connector contacts:	Brass with gold plated
Material of body:	PBT
Coupling nut/screw:	Brass with nickel plated
Body color:	Blue
Seal:	FKM

Contact resistance :	≤ 5mΩ
Rated voltage with/without LED:	10~30V/120V
Rated current:	2A per signal, 6A total
LED color:	Optional
IP rating:	IP 67 in locked condition
M12 type:	8P

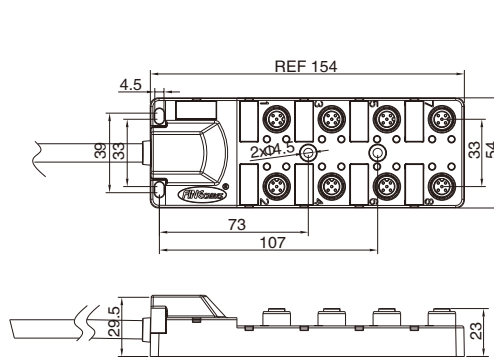
Electrical data & Mechanical data

Contacts	Circuit diagram
<p>03Pins</p> <p>Pin assignment M8(Female)</p>	
<p>08Pins</p> <p>Pin assignment M12(Male)</p>	

Junction Box, 8 Ports, M12 Termination, Molded Cable

- Connector series: Junction Box
- Termination: M12
- Locking type: Fix screw
- Coding type: A-coding
- Part No.: JB8M12F**L-XX (with LED)
JB8M12F**-XX (without LED)

** refers to pins number
X refers to cable length



RoHS

General information

Ambient temperature:	-40°C ~ +80°C(fixed installation) -25°C ~ +80°C(flexible installation)
Connector insert:	TPU/PA
Connector contacts:	Brass with gold plated
Material of body:	PBT
Coupling nut/screw:	Brass with nickel plated
Body color:	Blue
Seal:	FKM

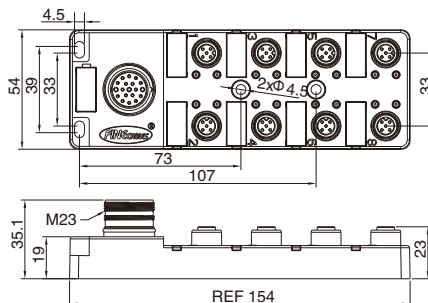
Contact resistance :	≤ 3mΩ
Rated voltage with/without LED:	10~30V/120V
Rated current:	1A per signal,3A total
LED color:	Optional
IP rating:	IP 67 in locked condition

Electrical data & Mechanical data

Contacts	Circuit diagram	Cable Specification
<p>04Pins</p> <p>Blind hole Pin assignment M12(Female)</p>		<p>Cable: 3C*0.75mm²(18AWG)+ 8C*0.34mm²(22AWG) PUR/PVC jacket by customized</p>
<p>05Pins</p> <p>Pin assignment M12(Female)</p>		<p>Cable: 3C*0.75mm²(18AWG)+ 16C*0.34mm²(22AWG) PUR/PVC jacket by customized</p>

Junction Box, 8 Ports, M12 Termination, with M23 Connector

- Connector series: Junction Box
 - Termination: M12
 - Locking type: Fix screw
 - Coding type: A-coding
 - Part No.: JB8M12F**L-M23M** (with LED)
JB8M12F**-M23M** (without LED)
- ** refers to pins number



RoHS

General information

Ambient temperature:	-25°C ~ +80°C
Connector insert:	TPU/PA
Connector contacts:	Brass with gold plated
Material of body:	PBT
Coupling nut/screw:	Brass with nickel plated
Body color:	Blue
Seal:	FKM

Contact resistance :	≤ 5mΩ
Rated voltage with/without LED:	10~30V/120V
Rated current:	2A per signal, 6A total
LED color:	Optional
IP rating:	IP 67 in locked condition
M12 type:	8P

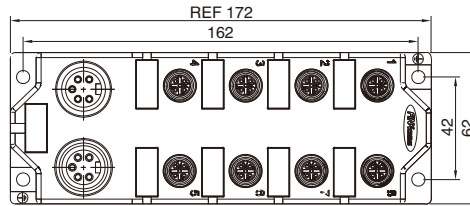
Electrical data & Mechanical data

Contacts		Circuit diagram
04Pins	<p>Blind hole Pin assignment M12(Female)</p>	
12Pins	<p>M23 Male</p>	
05Pins	<p>Pin assignment M12(Female)</p>	
19Pins	<p>M23 Male</p>	

Junction Box, 8 Ports, M12 Termination, with Mini-Change 7/8" Connector

- Connector series: Junction Box
- Termination: M12
- Locking type: Fix screw
- Coding type: A-coding
- Part No.: JB8M12F**L-MINIMF** (with LED)

** refers to pins number



RoHS

General information

Ambient temperature:	-25°C ~ +80°C
Connector insert:	TPU/PA
Connector contacts:	Brass with gold plated
Material of body:	PBT
Coupling nut/screw:	Brass with nickel plated
Body color:	Blue
Seal:	FKM

Contact resistance :	≤ 5mΩ
Rated voltage with/without LED:	10~30V/120V
Rated current:	2A per signal, 6A total
LED color:	Optional
IP rating:	IP 67 in locked condition
M12 type:	8P

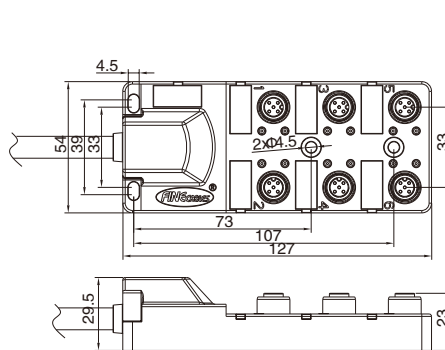
Electrical data & Mechanical data

Contacts		Circuit diagram
05Pins	<p>Pin assignment M12(Female)</p>	
05Pins	<p>Pin assignment 7/8" (Male)</p>	
05Pins	<p>Pin assignment 7/8" (Female)</p>	

Junction Box, 6 Ports, M12 Termination, Molded Cable

- Connector series: Junction Box with cable
- Termination: M12
- Locking type: Fix screw
- Coding type: A-coding
- Part No.: JB6M12F**L-XX (with LED)
JB6M12F**-XX (without LED)

** refers to pins number
X refers to cable length



RoHS

General information

Ambient temperature:	-40°C ~ +80°C(fixed installation) -25°C ~ +80°C(flexible installation)
Connector insert:	TPU/PA
Connector contacts:	Brass with gold plated
Material of body:	PBT
Coupling nut/screw:	Brass with nickel plated
Body color:	Blue
Seal:	FKM

Contact resistance :	≤ 3mΩ
Rated voltage with/without LED:	10~30V/120V
Rated current:	1A per signal,3A total
LED color:	Optional
IP rating:	IP 67 in locked condition

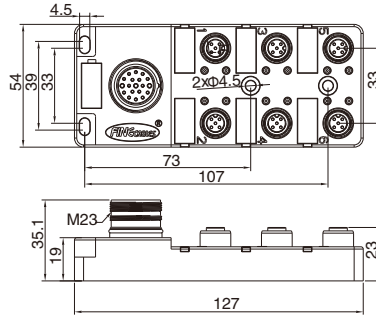
Electrical data & Mechanical data

Contacts	Circuit diagram	Cable Specification
<p>04Pins</p> <p>Blind hole Pin assignment M12(Female)</p>		<p>Cable: 3C*0.75mm²(18AWG)+ 6C*0.34mm²(22AWG) PUR/PVC jacket by customized</p>
<p>05Pins</p> <p>Pin assignment M12(Female)</p>		<p>Cable: 3C*0.75mm²(18AWG)+ 12C*0.34mm²(22AWG) PUR/PVC jacket by customized</p>

Junction Box, 6 Ports, M12 Termination, with M23 Connector

- Connector series: Junction Box
- Termination: M12
- Locking type: Fix screw
- Coding type: A-coding
- Part No.: JB6M12F**L-M23M** (with LED)
JB6M12F**-M23M** (without LED)

** refers to pins number



RoHS

General information

Ambient temperature:	-25°C ~ +80°C
Connector insert:	TPU/PA
Connector contacts:	Brass with gold plated
Material of body:	PBT
Coupling nut/screw:	Brass with nickel plated
Body color:	Blue
Seal:	FKM

Contact resistance :	≤ 5mΩ
Rated voltage with/without LED:	10~30V/120V
Rated current:	2A per signal,6A total
LED color:	Optional
IP rating:	IP 67 in locked condition
M12 type:	8P

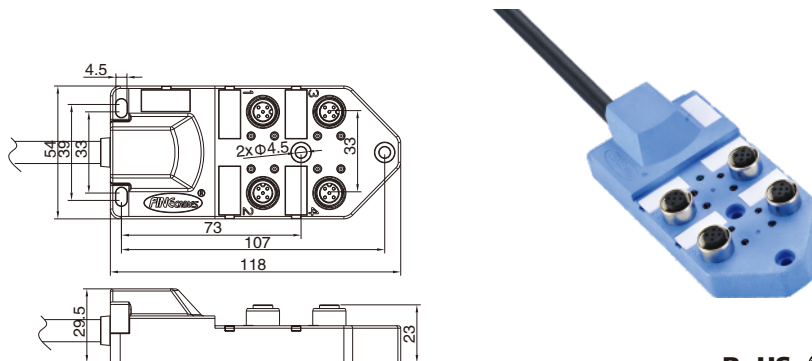
Electrical data & Mechanical data

Contacts		Circuit diagram
04Pins	<p>Blind hole Pin assignment M12(Female)</p>	
12Pins	<p>M23 Male</p>	
05Pins	<p>Pin assignment M12(Female)</p>	
19Pins	<p>M23 Male</p>	

Junction Box, 4 Ports, M12 Termination, Molded Cable

- Connector series: Junction Box
- Termination: M12
- Locking type: Fix screw
- Coding type: A-coding
- Part No.: JB4M12F**L-XX (with LED)
JB4M12F**-XX (without LED)

** refers to pins number
X refers to cable length



RoHS

General information

Ambient temperature:	-40°C ~ +80°C(fixed installation) -25°C ~ +80°C(flexible installation)
Connector insert:	TPU/PA
Connector contacts:	Brass with gold plated
Material of body:	PBT
Coupling nut/screw:	Brass with nickel plated
Body color:	Blue
Seal:	FKM

Contact resistance :	≤ 3mΩ
Rated voltage with/without LED:	10~30V/120V
Rated current:	1A per signal,3A total
LED color:	Optional
IP rating:	IP 67 in locked condition

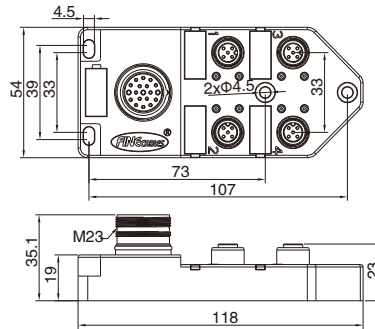
Electrical data & Mechanical data

Contacts	Circuit diagram	Cable Specification
<p>04Pins</p> <p>Blind hole Pin assignment M12(Female)</p>		<p>Cable: 3C*0.75mm²(18AWG)+ 4C*0.34mm²(22AWG) PUR/PVC jacket by customized</p>
<p>05Pins</p> <p>Pin assignment M12(Female)</p>		<p>Cable: 3C*0.75mm²(18AWG)+ 8C*0.34mm²(22AWG) PUR/PVC jacket by customized</p>

Junction Box, 4 Ports, M12 Termination, with M23 Connector

- Connector series: Junction Box
- Termination: M12
- Locking type: Fix screw
- Coding type: A-coding
- Part No.: JB4M12F**L-M23M** (with LED)
JB4M12F**-M23M** (without LED)

** refers to pins number



General information

Ambient temperature:	-25°C ~ +80°C
Connector insert:	TPU/PA
Connector contacts:	Brass with gold plated
Material of body:	PBT
Coupling nut/screw:	Brass with nickel plated
Body color:	Blue
Seal:	FKM

Contact resistance :	≤ 5mΩ
Rated voltage with/without LED:	10~30V/120V
Rated current:	2A per signal,6A total
LED color:	Optional
IP rating:	IP 67 in locked condition
M12 type:	8P

Electrical data & Mechanical data

Contacts		Circuit diagram
04Pins	<p>Blind hole Pin assignment M12(Female)</p>	
12Pins	<p>M23 Male</p>	
05Pins	<p>Pin assignment M12(Female)</p>	
19Pins	<p>M23 Male</p>	